

HEAVY DUTY CLAMPS



Bolt & Barrel

Atlantic's premium Bolt & Barrel clamps are designed for high performance applications, such as the sealing of suction and pressure hoses. The band has a smooth underside and bevelled edges, protecting the hose from damage. The bolt is directly engaged in the barrel and can be fastened with an electric or pneumatic tool.

PERFORMANCE	Strength	■ ■ ■ ■
	Temperature	■ ■ ■ ■
	Speed	■ ■ ■
	Weathering	■ ■ ■ ■
	Chemical	■ ■ ■ ■
	Dynamic Range	■ ■ ■ ■

Applications

W2

- Construction Equipment
- Drainage
- Irrigation
- Tankers

W4 / W5

- Chemical Industry
- Food Processing
- Shipyards

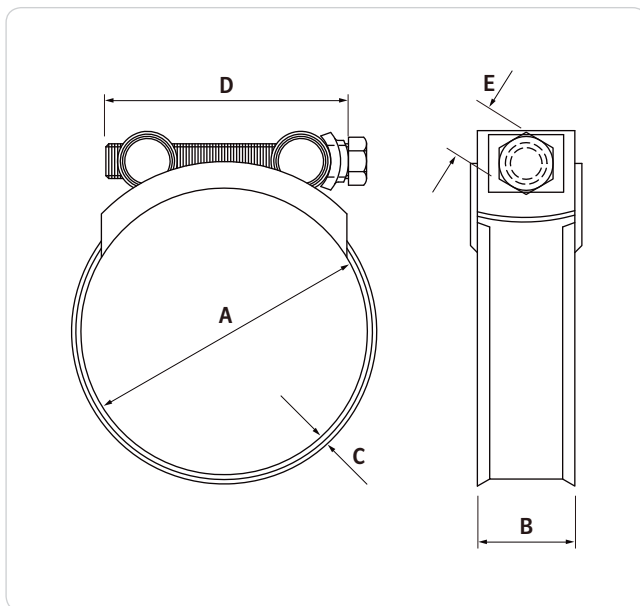
Materials – see section 10.3

- **W2** Bolt – Zinc Plated Steel
Band/Bridge – 430 SS

On Request

- **W4** 304 SS
- **W5** 316 SS

Weathering	■ ■ ■ ■
Chemical	■ ■ ■ ■
Weathering	■ ■ ■ ■
Chemical	■ ■ ■ ■



HCL Part No	Diameter Range (A) mm	Band Width (B) mm	Band Thickness (C) mm	Hex Screw Length (D) mm	Hex Screw A/F (E) mm	Max Torque Nm	Box Quantity
BBC-26	26 - 29	21.0	0.8	50.0	10.0	10.4	100
BBC-30	30 - 33						
BBC-34	34 - 37						
BBC-38	38 - 41						
BBC-42	42 - 46						
BBC-47	47 - 51			60.0			
BBC-52	52 - 57						
BBC-58	58 - 63						
BBC-63	63 - 68						
BBC-67	67 - 73						
BBC-73	73 - 79	24.0	1.2	70.0	13.0	24.6	50
BBC-79	79 - 86						
BBC-86	86 - 95						
BBC-95	95 - 105						
BBC-104	104 - 115						
BBC-110	110 - 123			90.0			
BBC-115	115 - 130						
BBC-120	120 - 134						
BBC-131	131 - 140						
BBC-134	134 - 148						
BBC-148	148 - 162	26.0	1.5	100.0	17.0	50.1	25
BBC-162	162 - 176						
BBC-165	165 - 180						
BBC-175	175 - 190						
BBC-190	190 - 205						
BBC-205	205 - 220						
BBC-224	214 - 227						
BBC-220	220 - 235						
BBC-235	235 - 250						

All weights, dimensions & quantities are subject to a 2.5% tolerance. To add material selection to the HCL Part No: for W2, add "W2".