

WORM DRIVE & SCREW CLAMPS



Double Wire Screw

Double Wire clamps are highly suited to soft and semi-rigid hoses, with spiral or braided reinforcement; as well as aluminium foil ducting.

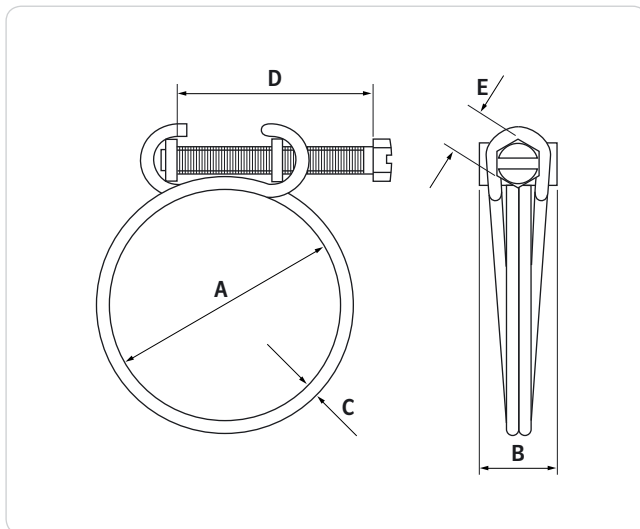
PERFORMANCE	Strength	■ ■ ■
	Temperature	■ ■ ■ ■
	Speed	■ ■ ■
	Weathering	■
	Chemical	■
	Dynamic Range	■ ■ ■

Applications

- Agricultural
- Irrigation
- Automotive
- General Industry
- HVAC

Materials – see section 10.3

- **W1** Zinc Plated Steel



HCL Part No	Diameter Range (A) mm	Clamp Width (B) mm	Wire Diameter (C) mm	Hex Screw Length (D) mm	Hex Screw A/F (E) mm	Box Quantity	
DWS-012	9.5 – 12.0	11.0	1.5	20.0	5.5	500	
DWS-014	11.5 – 14.0		1.8	25.0			
DWS-016	13.0 – 16.0						
DWS-018	15.0 – 18.0						
DWS-020	17.0 – 20.0	14.0	2.0	30.0	7.0		
DWS-023	19.0 – 23.0		2.2				
DWS-025	21.5 – 25.0						
DWS-027	23.5 – 27.0						
DWS-029	25.0 – 29.0						
DWS-031	27.0 – 31.0						
DWS-033	29.0 – 33.0						
DWS-035	30.5 – 35.0		15.0				2.5
DWS-037	33.0 – 37.0						
DWS-040	35.5 – 40.0						
DWS-043	38.5 – 43.0						
DWS-046	41.0 – 46.0						
DWS-049	43.5 – 49.0						
DWS-053	46.5 – 53.0						
DWS-056	50.5 – 56.0						
DWS-060	53.5 – 60.0						

All weights, dimensions & quantities are subject to a 2.5% tolerance.
To add material selection to the HCL Part No: for W1, add "W1".
Other sizes up to 190mm diameter available on request.

Installation Tools – see section 9.1



MT-D-01

MT-AD-01

MT-TD-01