

# COMPENSATING CLAMPS

## Ezyklik™-M+



The Ezyklik™-M+ hose clamp offers exceptional strength and a diameter that self-adjusts to compensate for diametrical variations. It is quick and easy, to assemble and disassemble; has a low profile design and is manufactured from corrosion resistant Stainless Steel.

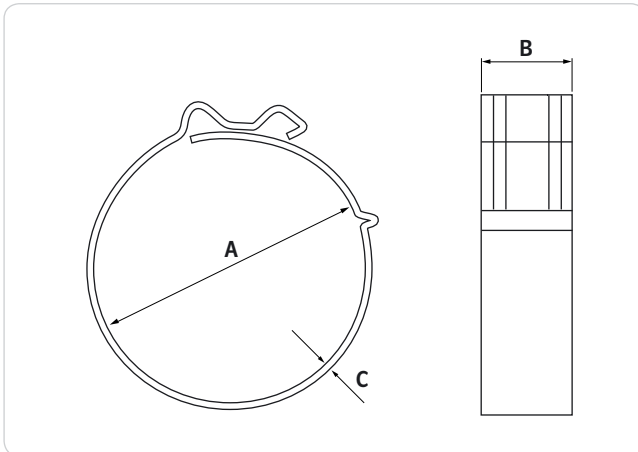
PERFORMANCE	Strength	
	Temperature	
	Speed	
	Weathering	
	Chemical	
	Dynamic Range	

### Applications

- Automotive
- Hydro Massage
- White Goods
- General Industry

### Materials – see section 10.3

- 304 SS



### Installation Tools – see section 9.1



MT-EZM-VT-01

MT-EZM-SJ-01

PT-EZY-C

HCL Part No	Diameter Range (A) mm	Band Width (B) mm	Band Thickness (C) mm	Box Quantity
EZY-M+-7.0	7.5 – 9.0	6.0	0.6	5000
EZY-M+-8.0	8.5 – 10.0			4000
EZY-M+-9.0	9.5 – 11.0			3000
EZY-M+-10.0	10.5 – 12.0			4500
EZY-M+-10.5	11.0 – 12.5			
EZY-M+-11.0	11.5 – 13.0			2500
EZY-M+-11.5	12.0 – 13.5			
EZY-M+-12.0	12.5 – 14.0			2000
EZY-M+-12.5	13.0 – 14.5			
EZY-M+-13.0	13.5 – 15.0			3500
EZY-M+-13.5	14.0 – 15.5			
EZY-M+-14.0	14.5 – 16.0	3000		
EZY-M+-14.5	15.0 – 16.5			
EZY-M+-15.0	15.5 – 17.0	2500		
EZY-M+-15.5	16.0 – 17.5			
EZY-M+-16.0	16.5 – 18.0	2000		
EZY-M+-16.5	17.0 – 18.5			
EZY-M+-17.0	17.5 – 19.0	1500		
EZY-M+-17.5	18.0 – 19.5			
EZY-M+-18.5	19.0 – 20.5	2000		
EZY-M+-19.5	20.0 – 21.5			
EZY-M+-20.5	21.0 – 23.0	2000		
EZY-M+-21.0	21.5 – 23.5			
EZY-M+-21.5	22.0 – 24.0	1500		
EZY-M+-22.5	23.0 – 25.0			
EZY-M+-23.5	24.0 – 26.0	1500		
EZY-M+-24.0	24.5 – 26.5			
EZY-M+-24.5	25.0 – 27.0	1500		
EZY-M+-25.0	25.5 – 27.5			
EZY-M+-25.5	26.0 – 28.0	1500		
EZY-M+-26.0	26.5 – 28.5			
EZY-M+-26.5	27.0 – 29.0	1500		
EZY-M+-27.5	28.0 – 30.0			
EZY-M+-28.5	29.0 – 31.0	1500		
EZY-M+-29.0	29.5 – 31.5			
EZY-M+-30.0	30.5 – 32.5	1500		

All weights, dimensions & quantities are subject to a 2.5% tolerance. To add material selection to the HCL Part No: for W4, add "W4". Other sizes available on request.