

SNAP FIT & EAR CLAMPS

Zero Leak Ear

HCL's Zero Leak Ear clamp is ideal for rubber and PVC hoses. The clamp forms a complete circle, removing the possibility of leakage. It is quick and easy to assemble, has a low profile design and is manufactured from corrosion resistant Stainless Steel.

PERFORMANCE	Strength	
	Temperature	
	Speed	
	Weathering	
	Chemical	
	Dynamic Range	

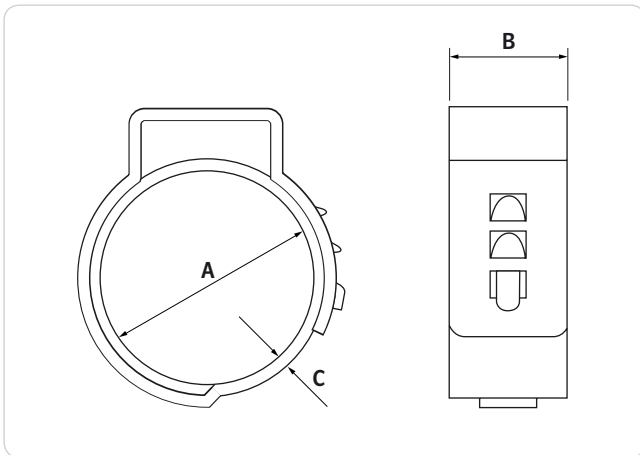
Applications

- Automotive
- White Goods
- Vending
- General Industry



Materials – see section 10.3

- 304 SS



Installation Tools – see section 9.1



MT-EC-VHT-01

MT-EC-VT-01

HCL Part No	Diameter Range (A) mm	Band Width (B) mm	Band Thickness (C) mm	Box Quantity
ZLEC-7.0	5.7 – 7.0	5.0	0.5	100
ZLEC-8.0	6.8 – 8.0			
ZLEC-8.7	7.0 – 8.7			
ZLEC-9.0	7.3 – 9.0			
ZLEC-9.5	7.8 – 9.5			
ZLEC-10.0	8.3 – 10.0			
ZLEC-10.5	8.8 – 10.5			
ZLEC-10.9	9.2 – 10.9			
ZLEC-11.3	9.6 – 11.3			
ZLEC-11.8	10.1 – 11.8			
ZLEC-11.9	9.4 – 11.9			
ZLEC-12.3	9.8 – 12.3			
ZLEC-12.8	10.3 – 12.8			
ZLEC-13.3	10.8 – 13.3			
ZLEC-13.8	11.3 – 13.8			
ZLEC-14.0	11.5 – 14.0			
ZLEC-14.2	11.7 – 14.2			
ZLEC-14.5	12.0 – 14.5			
ZLEC-14.8	12.3 – 14.8			
ZLEC-15.3	12.8 – 15.3			
ZLEC-15.7	13.2 – 15.7			
ZLEC-16.0	13.5 – 16.0			
ZLEC-16.8	14.3 – 16.8			
ZLEC-17.0	14.5 – 17.0			
ZLEC-17.5	15.0 – 17.5			
ZLEC-17.8	14.6 – 17.8			
ZLEC-18.0	14.8 – 18.0			
ZLEC-18.5	15.3 – 18.5	7.0	0.6	

All weights, dimensions & quantities are subject to a 2.5% tolerance.
To add material selection to the HCL Part No: for W4, add "W4".
Other sizes available on request.